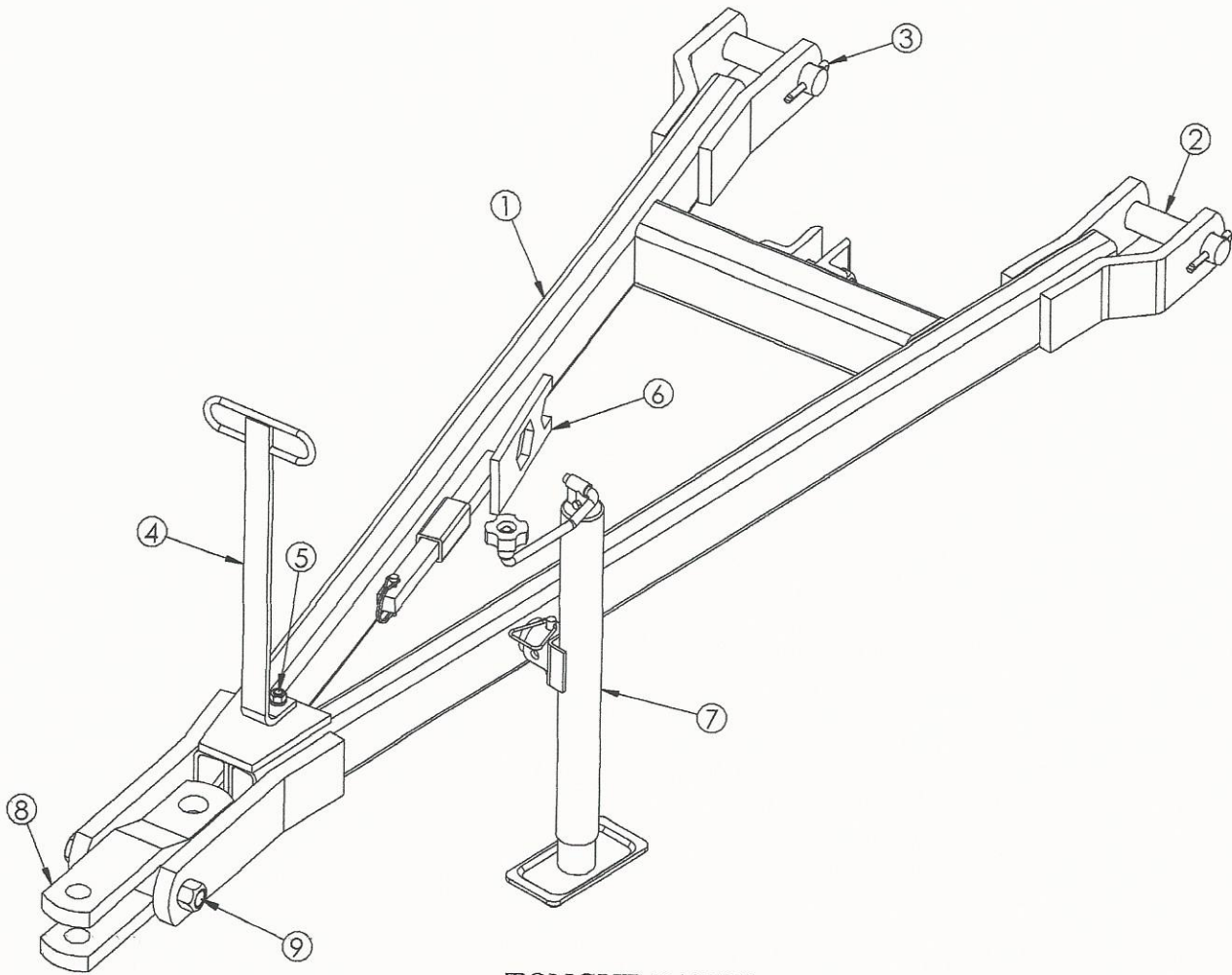


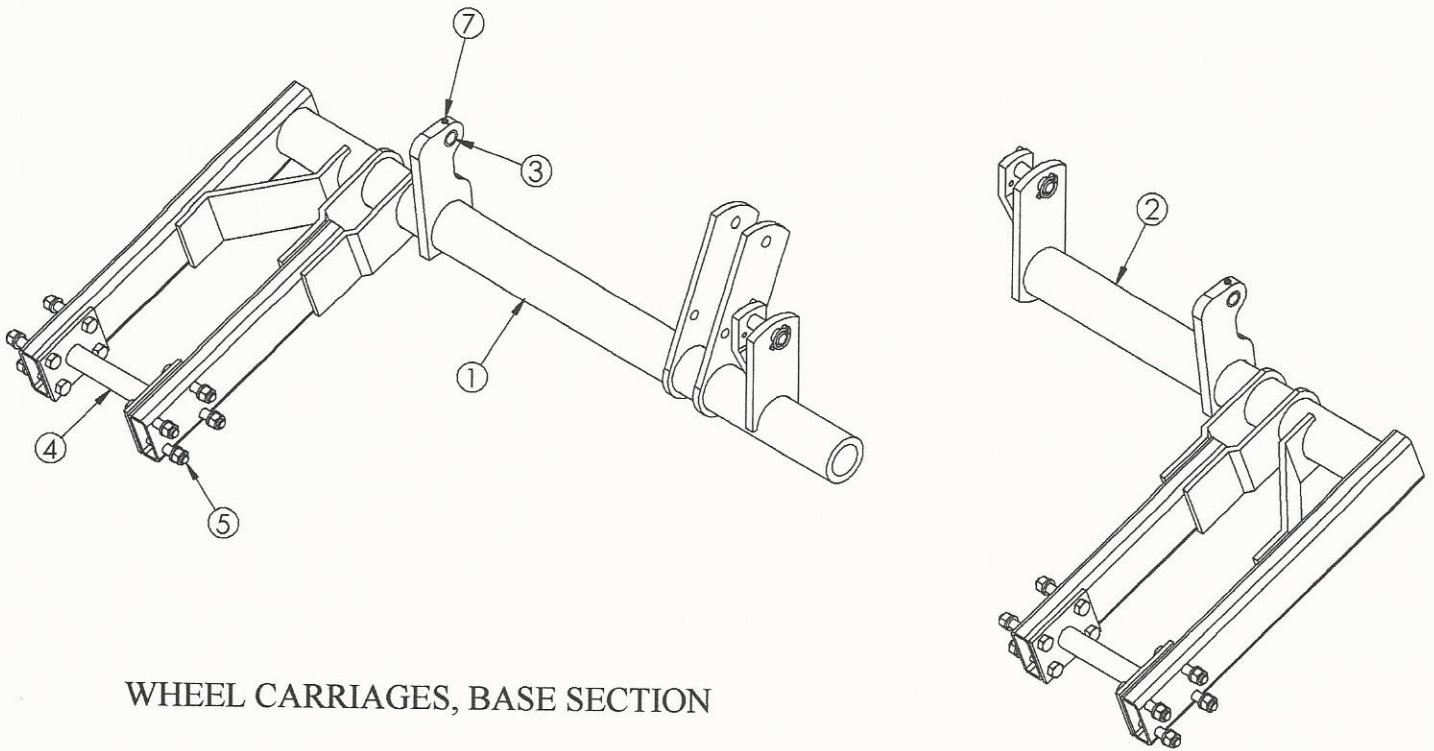
Reference	Part No.	Description
1	23417	Main Frame
2	23425	Right Narrow Wing
	23448	Right Wide Wing
3	23439	Left Narrow Wing
4	23449	Left Wide Wing
		Attaching Plate
5	80200	3/4" x 6" Hex Bolt
	81035	3/8" Lockwasher
	80655	7/8" Hex Nut
	19403	Wing Pivot Pin
6	80114	1/2" x 2 3/4" Hex Bolt
	80864	1/2" Locknut

Reference	Part No.	Description
7	19991	Wing Cylinder Anchor
8	19997	Leveling Shim
9	80134	3/4" x 2 1/2" Hex Bolt
	80605	3/8" Hex Nut
	81010	3/8" Lockwasher
		ATHENS Decal
10		116 or 119 Decal
11	999205	GENERAL WARNING Decal
12	999201	WARNING (Wheeled Units)
13	SW700	WARNING (High Pressure Fluid Hazard)
14		WARNING (Wing Clearance)
15	999202	



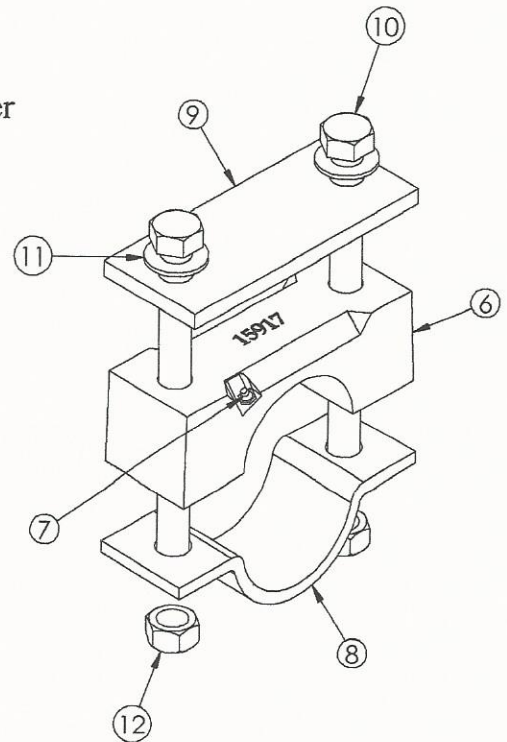
TONGUE PARTS

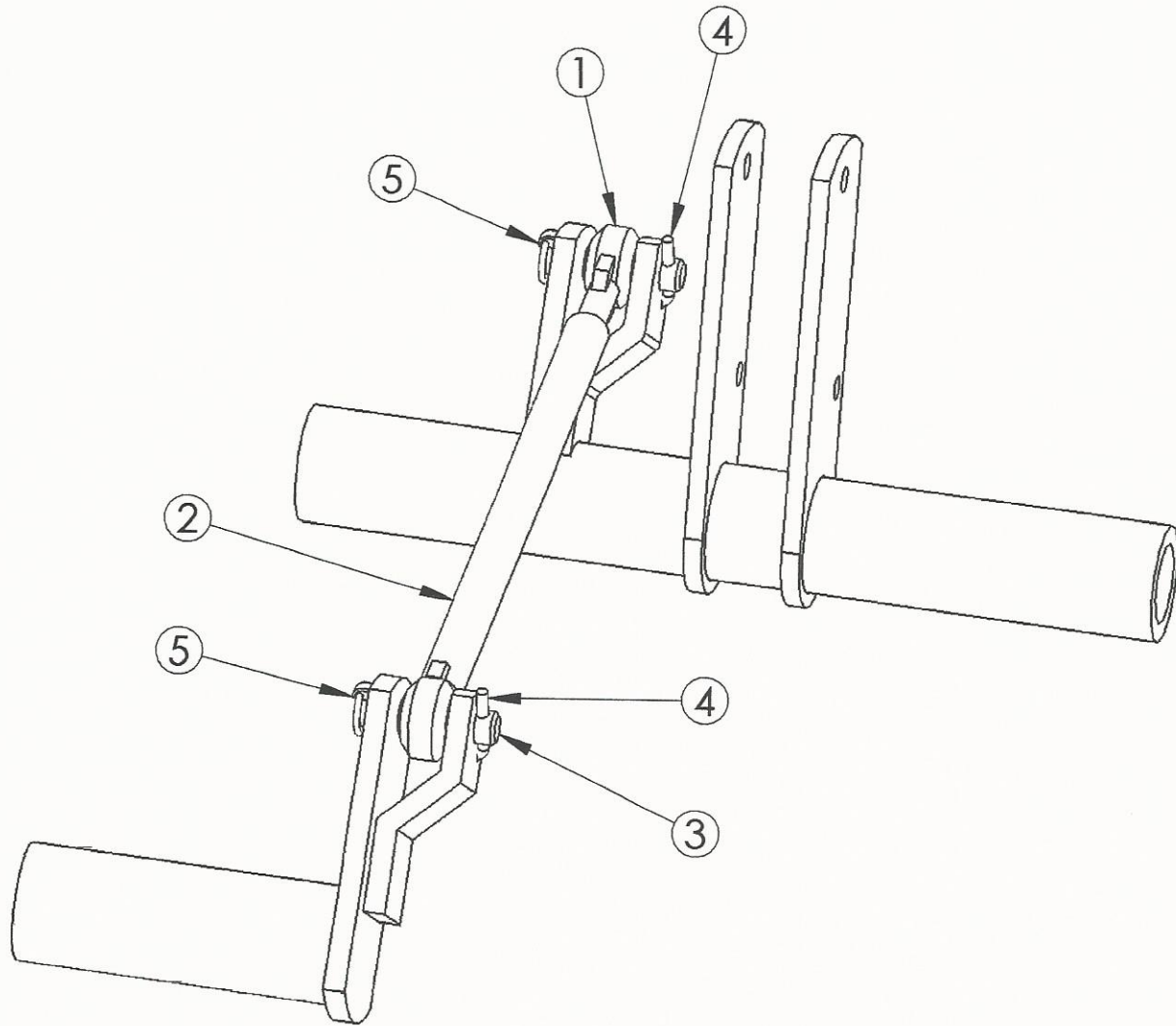
Reference	Part No.	Description
1	21367	Tongue
2	19462	Tongue Connecting Pin
3	81425	Cotter
4	21273	Hose Stand
5	80109	½ x 1 ½" Hex Bolt
	81005	½" Lockwasher
	80590	½" Hex Nut
6	21310	Gang Wrench
	12058	Lock Clip
7	19752	Parking Jack 5,000#
8	20004	Clevis
9	18856	1 x 7 ¼" Hex Bolt
	80880	1" Locknut



WHEEL CARRIAGES, BASE SECTION

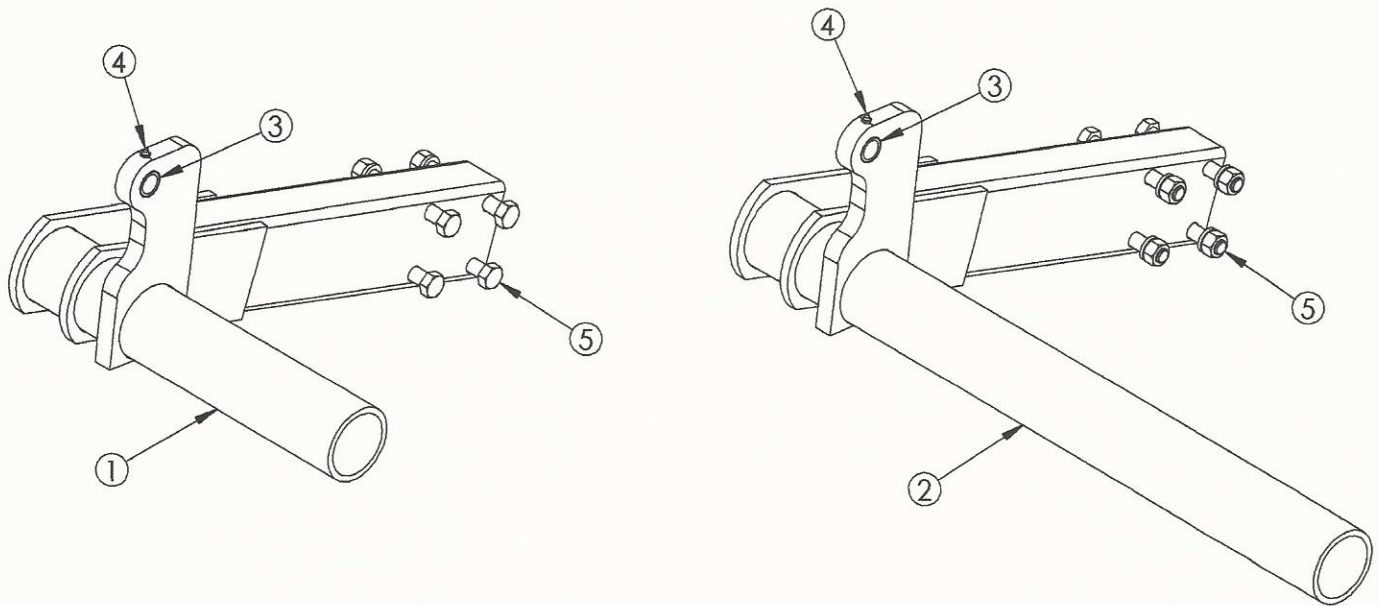
Reference	Part No.	Description
1	21375	Left Wheel Carriage, Base
2	21380	Right Wheel Carriage, Base
3	21953	Drilled Ram Anchor Bushing
4	21484	Wheel Carriage Drop-Leg Spacer
5	80177	3/4 x 4 1/2" Hex Bolt
	81005	3/4" Lockwasher
	80590	3/4" Hex Nut
6	15917	Wheel Carriage Pivot Casting
7	11610	Grease Fitting
8	15925	Wheel Carriage Pivot Strap
9	21467	Spacer (2 1/2" Wide)
	21466	Spacer (3 1/2" Wide)
10	80341	7/8 x 10" Hex Bolt
	80342	7/8 x 11" Hex Bolt
11	81215	7/8" Flatwasher
12	80880	7/8" Locknut





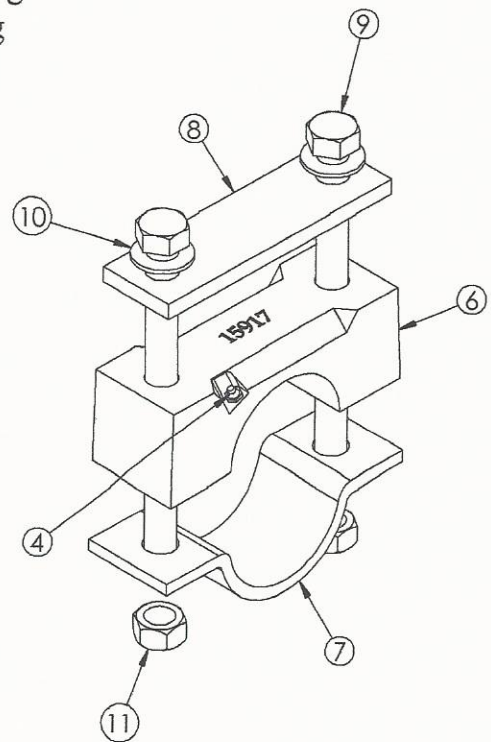
WHEEL CARRIAGE TURNBUCKLE

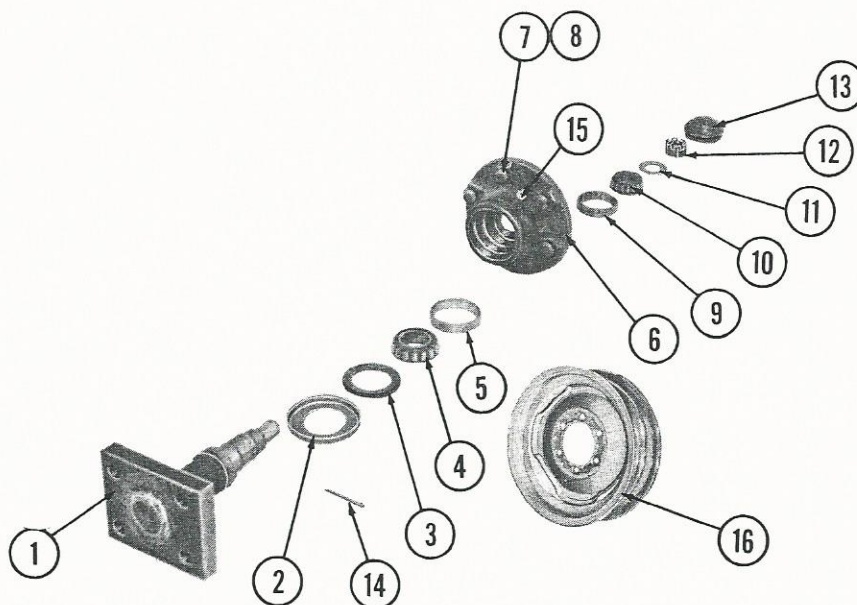
Reference	Part No.	Description
1	21271	Adjusting Rod
2	23458	Adjusting Tube
3	21267	Turnbuckle Pin
4	21266	Lock Pin
5	20284	Clip Pin



WHEEL CARRIAGES, WINGS

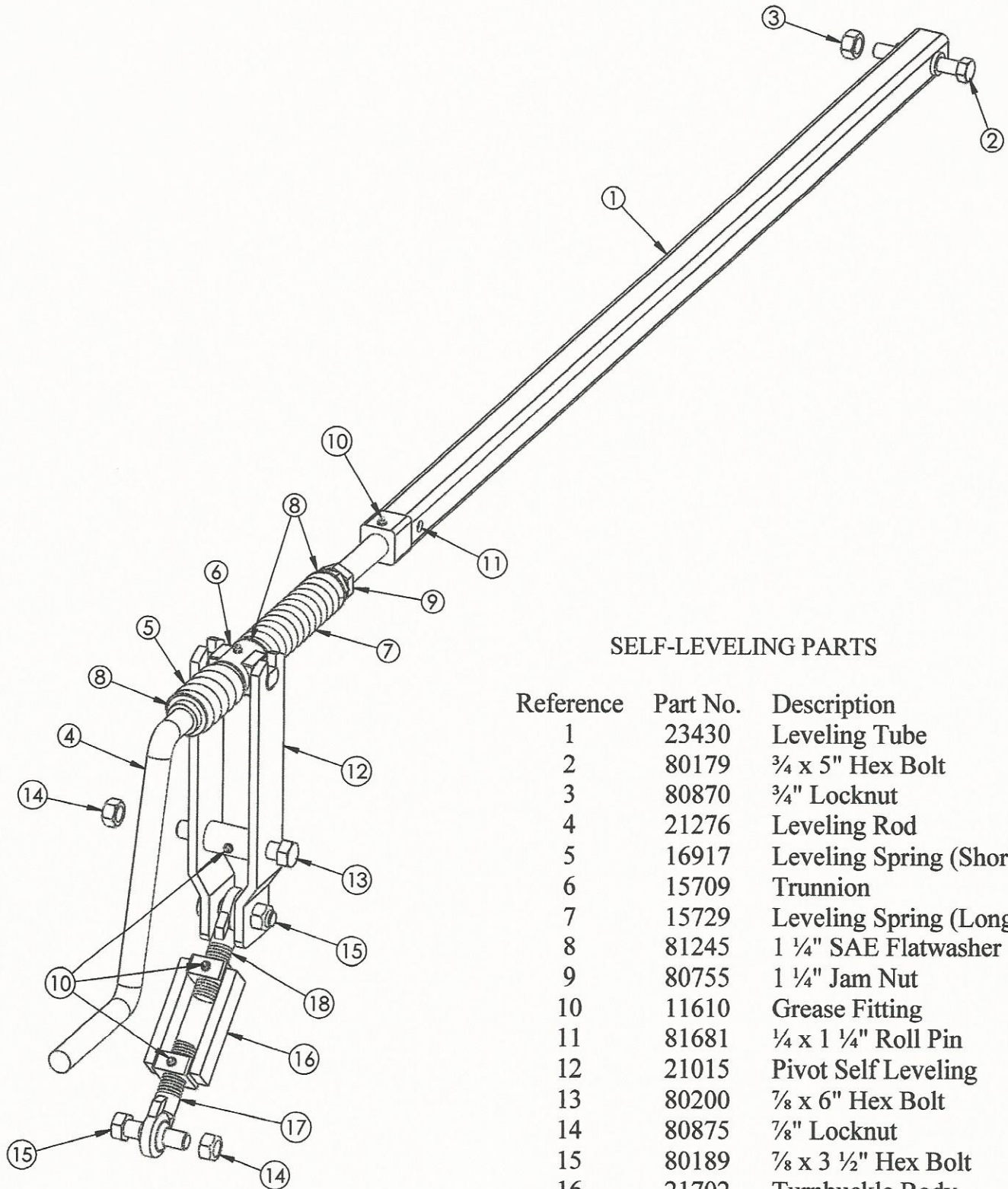
Reference	Part No.	Description
1	23460	Right Narrow Wheel Carriage, Wing
	23459	Left Narrow Wheel Carriage, Wing
2	23220	Right Wide Wheel Carriage, Wing
	23221	Left Wide Wheel Carriage, Wing
3	21953	Drilled Ram Anchor Bushing
4	11610	Grease Fitting
5	80182	3/4 x 6" Hex Bolt
	81025	3/4" Lockwasher
	80625	3/4" Hex Nut
6	15917	Wheel Carriage Pivot Casting
7	15925	Wheel Carriage Pivot Strap
8	21467	Spacer (2 1/2" Wide)
9	80341	7/8 x 10" Hex Bolt
10	81215	7/8" Flatwasher
11	80875	7/8" Locknut





WHEEL & WHEEL HUB PARTS

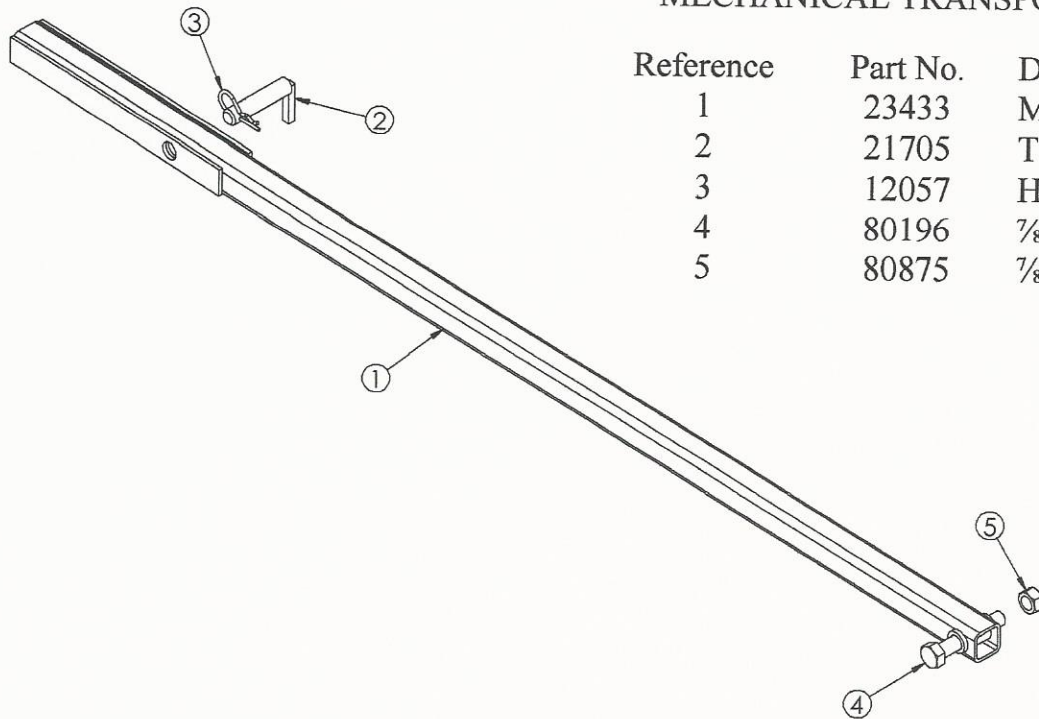
Reference	Part No.	Description
1	19022	Wheel Axle
2	19019	Press-on Flinger
3	19021	Triple-lip Seal
4	70002	Bearing Cone
5	70000	Bearing Cup
6	900076	Six-Lug Wheel Hub with Cups and Bolts
7	13198	Wheel Bolt
8	15793	Wheel Bolt Nut
9	70025	Bearing Cup
10	70024	Bearing Cone
11	81230	1" SAE Flatwasher
12	80715	Hex Slotted Nut NFT, 1"
13	19020	Hub Cap
14	81360	.19 x 1.50" Cotter
15	11610	Grease Fitting
16	18184	15" x 8" Wheel



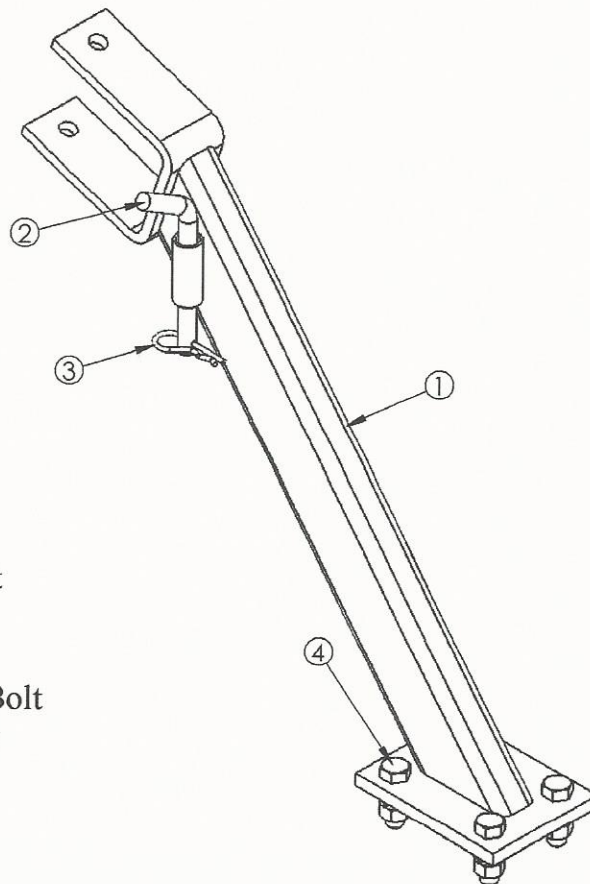
SELF-LEVELING PARTS

Reference	Part No.	Description
1	23430	Leveling Tube
2	80179	3/4 x 5" Hex Bolt
3	80870	3/4" Locknut
4	21276	Leveling Rod
5	16917	Leveling Spring (Short)
6	15709	Trunnion
7	15729	Leveling Spring (Long)
8	81245	1 1/4" SAE Flatwasher
9	80755	1 1/4" Jam Nut
10	11610	Grease Fitting
11	81681	1/4 x 1 1/4" Roll Pin
12	21015	Pivot Self Leveling
13	80200	7/8 x 6" Hex Bolt
14	80875	7/8" Locknut
15	80189	7/8 x 3 1/2" Hex Bolt
16	21702	Turnbuckle Body
17	21004	Turnbuckle End, Right
18	21005	Turnbuckle End, Left

MECHANICAL TRANSPORT PARTS

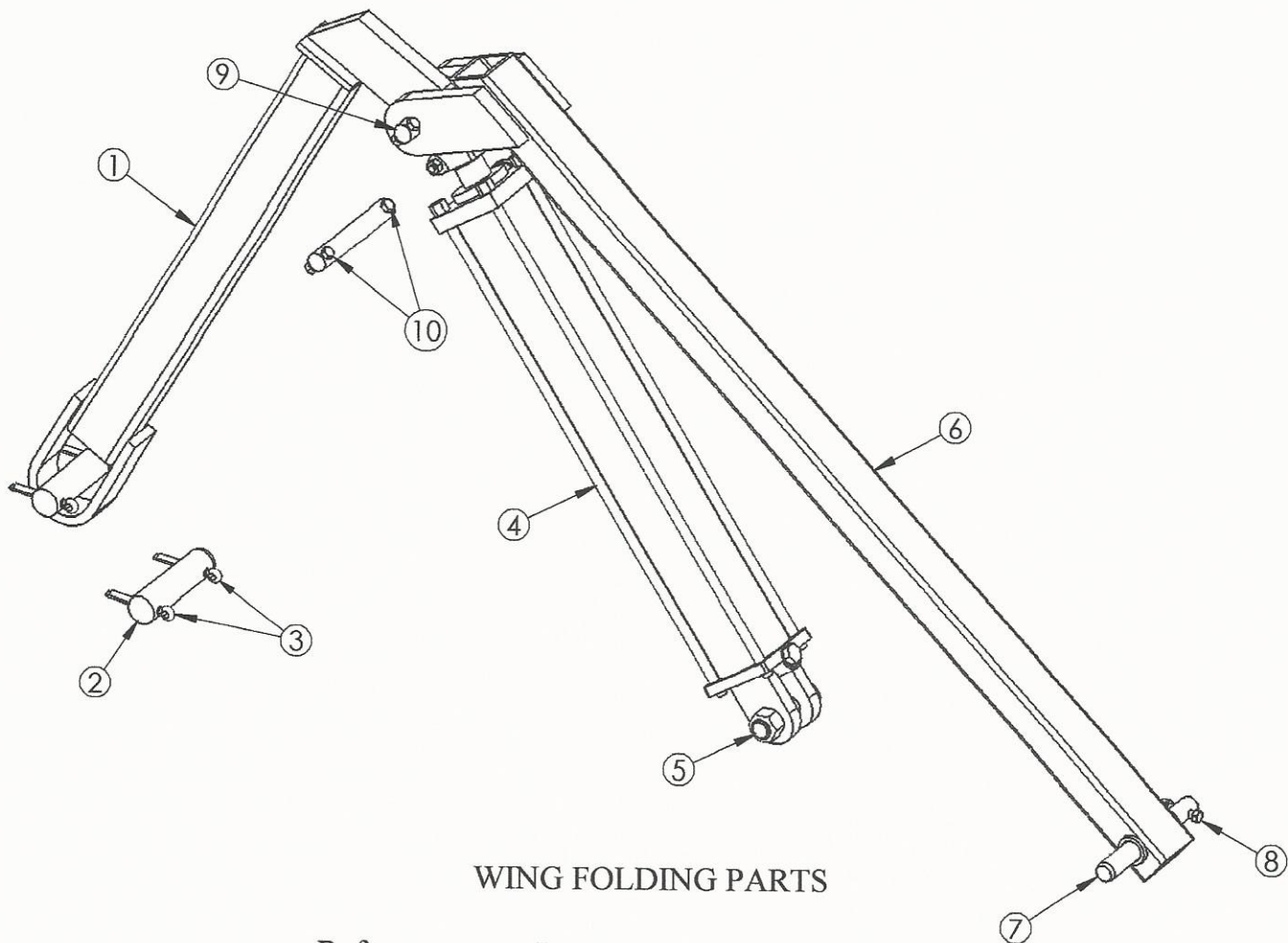


Reference	Part No.	Description
1	23433	Mechanical Transport
2	21705	Transport Pin
3	12057	Hair Pin Clip 3/16"
4	80196	7/8 x 5" Hex Bolt
5	80875	7/8" Locknut



WING TRANSPORT PARTS

Reference	Part No.	Description
1	23451	Wing Transport
2	23360	Transport Pin
3	12057	Hair Pin Clip
4	80160	3/4 x 2 1/2" Hex Bolt
	81025	3/4" Lockwasher
	80625	3/4" Hex Nut



WING FOLDING PARTS

Reference	Part No.	Description
1	19512	Wing Folding Arm Assembly
2	19428	Wing Folding Pin
3	81425	3/8 x 3" Cotter
4	91015	3 1/2 x 24" Hydraulic Folding Cylinder
5	23225	Base Folding Cylinder Bolt
	80880	1" Locknut
6	19513	Cylinder Stabilizer Assembly
7	19402	Base Folding Pivot Pin
8	80104	3/8 x 2" Hex Bolt
	80985	3/8" Lockwasher
	80575	3/8" Hex Nut
9	19509	Cylinder Connecting Pin
10	80103	3/8 x 1 1/2" Hex Bolt
	80985	3/8" Lockwasher
	80756	3/8" Locknut

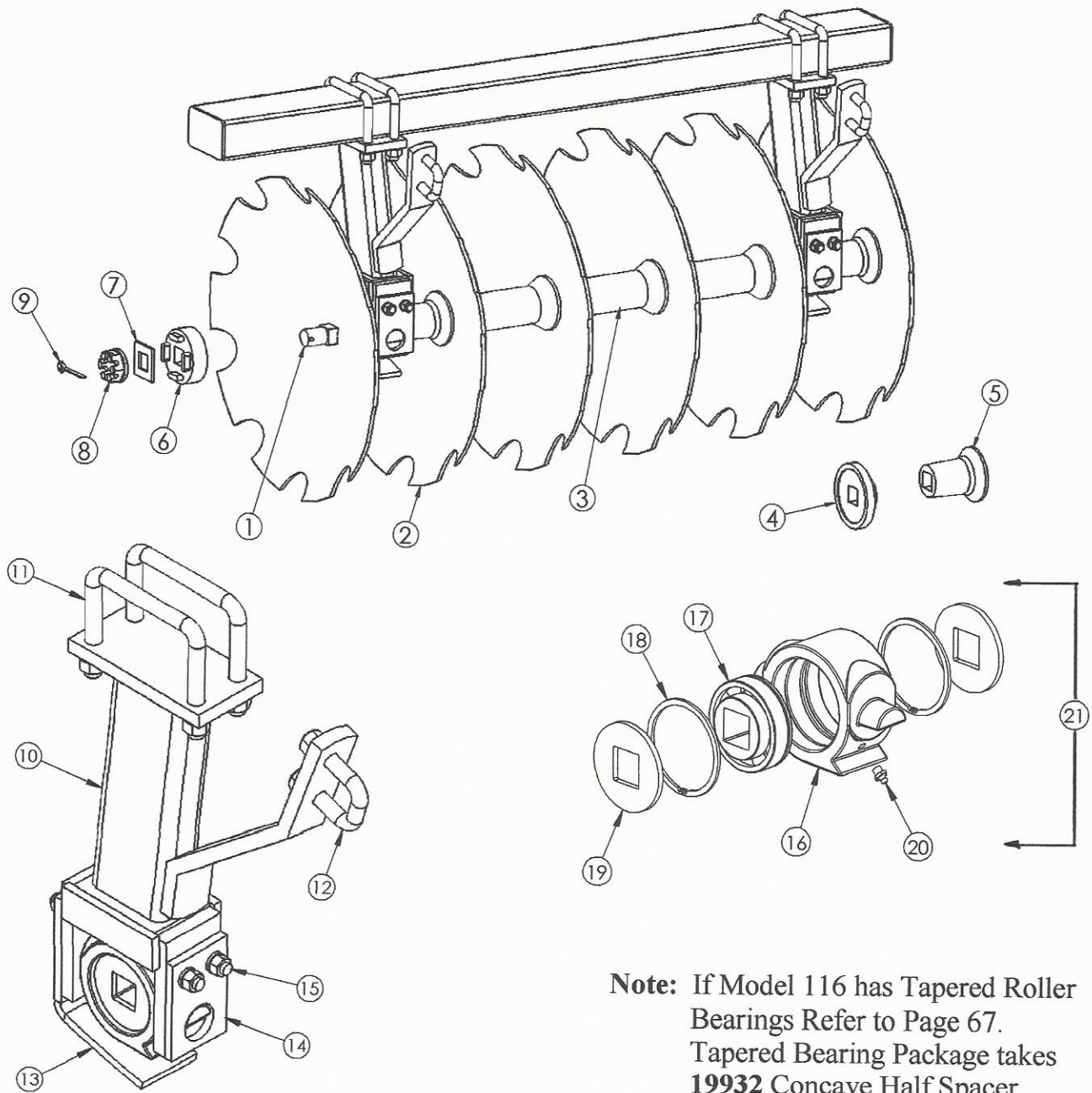
1
1
6

D
I
S
K

G
A
N
G

P
A
R
T
S

Reference	Part No.	Description
1	19961	1 ¼" SQUARE 4 x 9" Axle (29.69")
	19963	1 ¼" SQUARE 6 x 9" Axle (47.69")
	19964	1 ¼" SQUARE 7 x 9" Axle (56.69")
	19968	1 ¼" SQUARE 8 x 9" Axle (65.75")
	19973	1 ¼" SQUARE 5 x 9" CD Axle (38.69")
	19975	1 ¼" SQUARE 7 x 9" CD Axle (56.69")
	19976	1 ¼" SQUARE 8 x 9" CD Axle (65.75")
	19977	1 ¼" SQUARE 9 x 9" CD Axle (74.75")
	19965	1 ¼" SQUARE 5 x 7 ½" Axle (32.69")
	19963	1 ¼" SQUARE 7 x 7 ½" Axle (47.69")
	19967	1 ¼" SQUARE 8 x 7 ½" Axle (55.19")
	21453	1 ¼" SQUARE 9 x 7 ½" Axle (62.69")
	19979	1 ¼" SQUARE 6 x 7 ½" CD Axle (40.19")
	19980	1 ¼" SQUARE 8 x 7 ½" CD Axle (55.19")
	21455	1 ¼" SQUARE 9 x 7 ½" CD Axle (62.69")
	19981	1 ¼" SQUARE 10 x 7 ½" CD Axle (70.25")
2	21158	Disc 24 x 1 ¼" C/O
	21159	Disc 24 x 1 ¼" SM
	19916	Disc 22 x 1 ¼" SM
	19917	Disc 22 x 1 ¼" C/O
	19918	Disc 20 x 1 ¼" SM (Tapered Disc)
	19919	Disc 20 x 1 ¼" C/O (Tapered Disc)
	19920	Disc 18 x 1 ¼" SM (Tapered Disc)
	19921	Disc 18 x 1 ¼" C/O (Tapered Disc)
	15985	Disc 18 x 1 ⅛" SM (Cover Disc with 24" Disc)
	18693	Disc 16 x 1 ⅛" SM (Cover Disc with 22" Disc)
3	19934	Full Spacer 9"
	19935	Full Spacer 7 ½"
4	21093	Concave Half Spacer 9"
	19932	Concave Half Spacer 7 ½"
5	19931	Convex Half Spacer
6	19933	End Washer
7	16437	End Washer Spacer
8	19948	Axle Nut
9	81395	¼ x 2 ½" Cotter
10	23213	Left Front / Right Rear Bearing Hanger
	23214	Right Front / Left Rear Bearing Hanger
11	21115	Bearing Hanger U-Bolt
	81015	⅝" Lockwasher
	80610	⅝" Hex Nut
12	20676	Scraper Bar Hanger U-Bolt
	81015	⅝" Lockwasher
	80865	⅝" Lock Nut
13	23216	Wear Plate
14	23217	Rear Plate
15	80321	½ x 1 ¾" Carriage Bolt
	81005	½" Lockwasher
	80590	½" Hex Nut



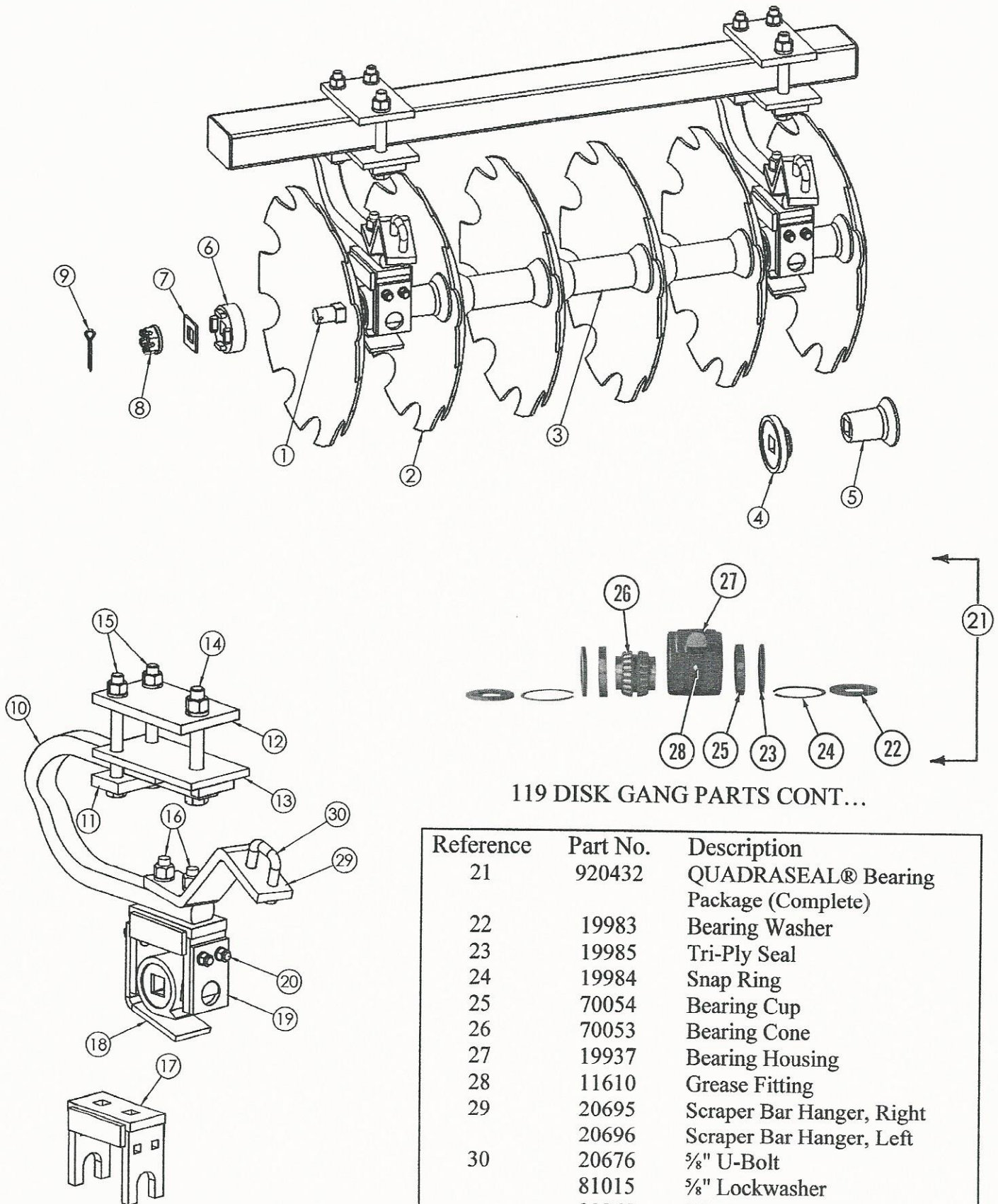
Note: If Model 116 has Tapered Roller Bearings Refer to Page 67.
Tapered Bearing Package takes 19932 Concave Half Spacer.

116 DISK GANG PARTS CONT...

Reference	Part No.	Description
16	20674	Trunnion Bearing Housing
17	70513	Ball Bearing 1 1/4"
18	21104	Snap Ring
19	21025	Bearing Washer
20	11610	Grease Fitting
21	900087	1 1/4" Quad Ball Bearing Package

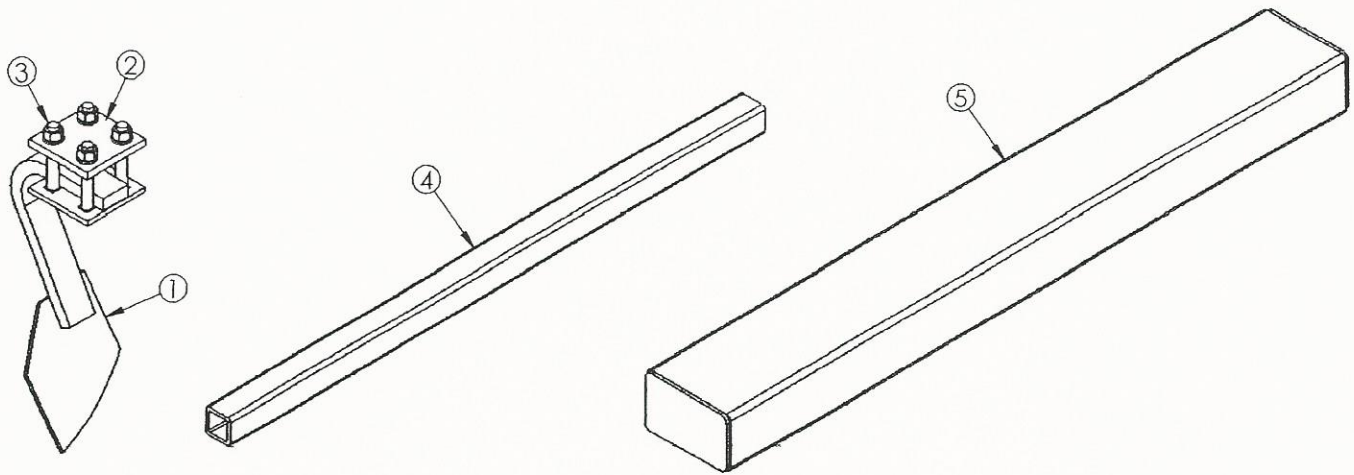
119 DISK GANG PARTS

Reference	Part No.	Description
1	19963	1 ¼" SQUARE 6 x 9" Axle (47.69")
	19964	1 ¼" SQUARE 7 x 9" Axle (56.69")
	19968	1 ¼" SQUARE 8 x 9" Axle (65.75")
	19975	1 ¼" SQUARE 7 x 9" CD Axle (56.69")
	19976	1 ¼" SQUARE 8 x 9" CD Axle (65.75")
	19977	1 ¼" SQUARE 9 x 9" CD Axle (74.75")
	2	19916
19917		Disc 22 x 1 ¼" C/O
19918		Disc 20 x 1 ¼" SM (Tapered Disc)
19919		Disc 20 x 1 ¼" C/O (Tapered Disc)
19920		Disc 18 x 1 ¼" SM (Tapered Disc)
19921		Disc 18 x 1 ¼" C/O (Tapered Disc)
18693		Disc 16 x 1 ½" SM
3	19934	Full Spacer 9"
4	19932	Concave Half Spacer
5	19931	Convex Half Spacer
6	19933	End Washer
7	16437	End Washer Spacer
8	19948	Axle Nut
9	81395	¼ x 2 ½" Cotter
10	20752	Left Front / Right Rear Bearing Hanger
	20753	Right Front / Left Rear Bearing Hanger
11	23392	Clamp Plate
12	23391	Top Plate
13	23389	Bottom Shank Support
14	80204	⅞ x 7" Hex Bolt
	81035	⅞" Lockwasher
	80655	⅞" Hex Nut
15	80184	¾ x 7 ½" Hex Bolt
	81025	¾" Lockwasher
	80625	¾" Hex Nut
16	80340	Carriage Bolt, ¾ x 4"
	81025	¾" Lockwasher
	80870	¾" Lock Nut
17	23393	Spring Bearing Hanger Cuff
18	23216	Wear Plate
19	23217	Rear Plate
20	80321	½ x 1 ¾" Carriage Bolt
	81005	½" Lockwasher
	80590	½" Hex Nut



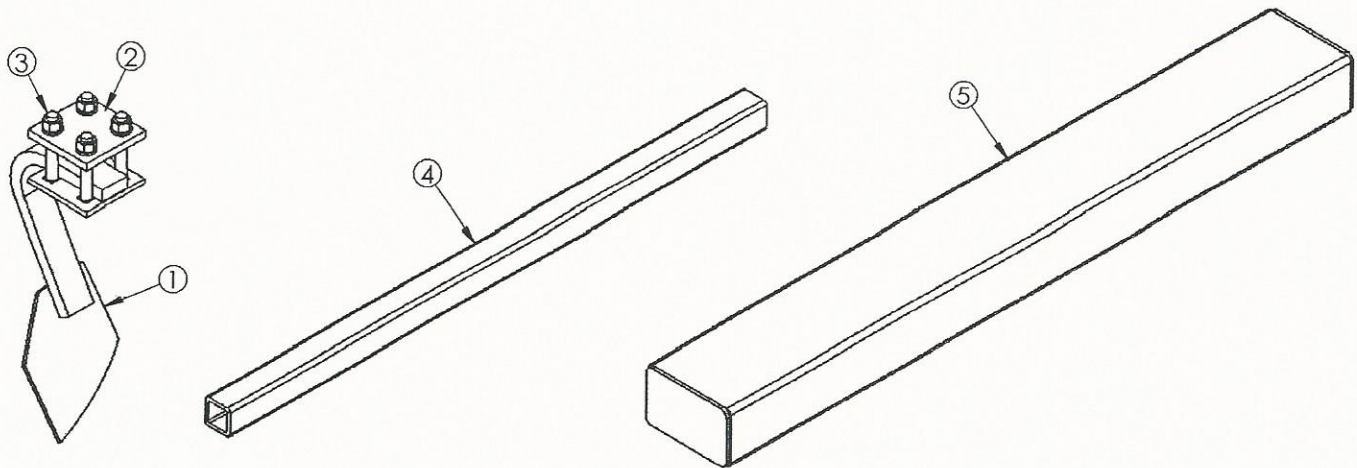
119 DISK GANG PARTS CONT...

Reference	Part No.	Description
21	920432	QUADRASEAL® Bearing Package (Complete)
22	19983	Bearing Washer
23	19985	Tri-Ply Seal
24	19984	Snap Ring
25	70054	Bearing Cup
26	70053	Bearing Cone
27	19937	Bearing Housing
28	11610	Grease Fitting
29	20695	Scraper Bar Hanger, Right
	20696	Scraper Bar Hanger, Left
30	20676	5/8" U-Bolt
	81015	5/8" Lockwasher
	80865	5/8" Hex Nut



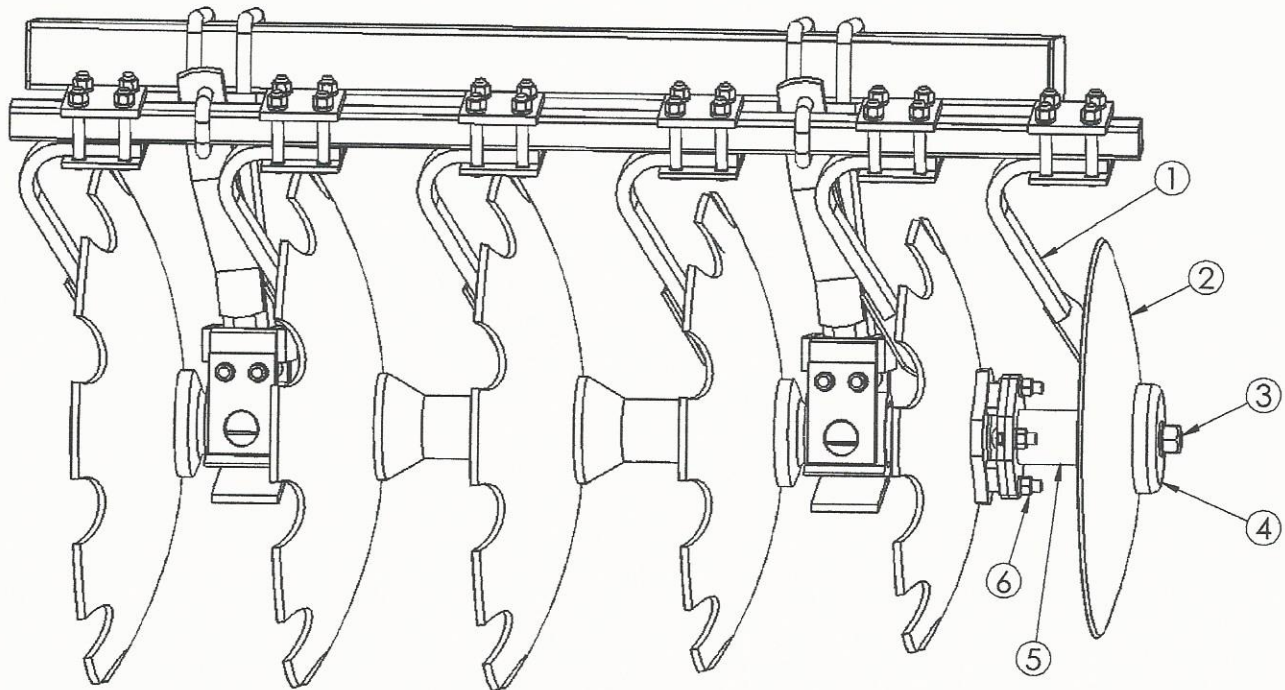
116 SCRAPERS, SCRAPER BARS, & GANG FRAMES

	Main Frame	16' 8" Wing	19' 6" Wing	22' Wing	23' 4" Wing																																		
Ref.	Part No.	QUANTITY AS NEEDED				Description																																	
1	20689					QUANTITY AS NEEDED				Right Front / Left Rear Scraper																													
	20690									QUANTITY AS NEEDED				Left Front / Right Rear Scraper																									
2	21844													QUANTITY AS NEEDED				Top Plate																					
3	80335																	QUANTITY AS NEEDED				½ x 3 ½" Carriage Bolt																	
	81005																					QUANTITY AS NEEDED				½" Lockwasher													
	80590																									QUANTITY AS NEEDED				½" Hex Nut									
4	20684																													QUANTITY AS NEEDED				Scraper Bar – 32.00"					
	20729																																	2	QUANTITY AS NEEDED				Scraper Bar – 47.00"
	21901																																						QUANTITY AS NEEDED
	20730		QUANTITY AS NEEDED																															Scraper Bar – 54.50"					
	20731	2					QUANTITY AS NEEDED																											Scraper Bar – 61.00"					
	21703										QUANTITY AS NEEDED																							Scraper Bar – 64.00"					
	20732														QUANTITY AS NEEDED																			Scraper Bar – 69.50"					
	20734																		QUANTITY AS NEEDED															Scraper Bar – 79.00"					
	20735																						QUANTITY AS NEEDED											Scraper Bar – 83.00"					
	20736																										QUANTITY AS NEEDED							Scraper Bar – 88.00"					
5	21691	2																																Gang Frame – 37.00"					
	21692	2																													2			Gang Frame – 46.00"					
	21693	4																														2		Gang Frame – 56.00"					
	21694		2		2	Gang Frame – 65.00"																																	
	21307			2		Gang Frame – 70.00"																																	
	21306				2	Gang Frame – 81.00"																																	



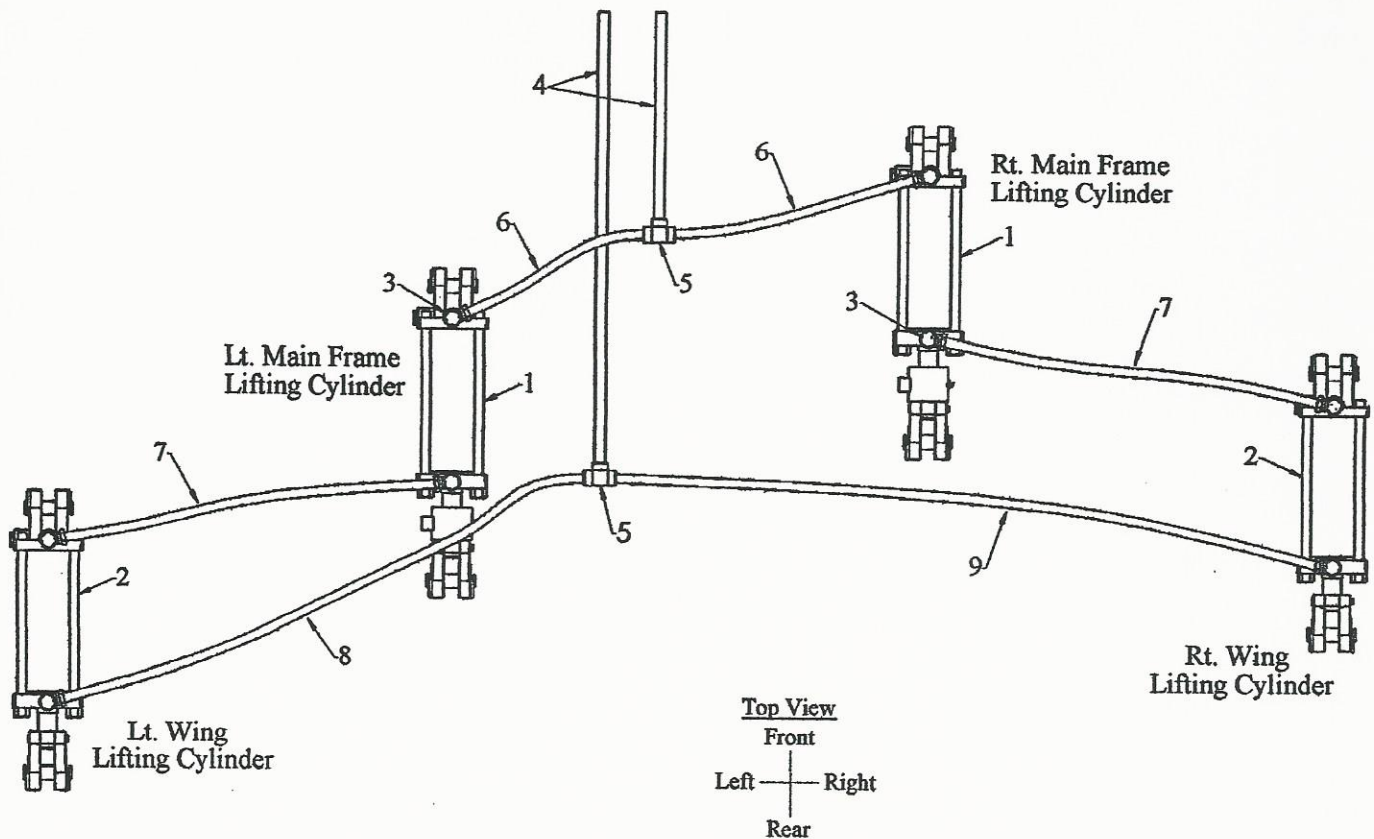
119 SCRAPERS, SCRAPER BARS, & GANG FRAMES

		Main Frame	19' 6" Wing	22' Wing	23' 4" Wing	
Ref.	Part No.					Description
1	20680					Right Front / Left Rear Scraper
	20682					Left Front / Right Rear Scraper
2	21844					Top Plate
3	80335					½ x 3 ½" Carriage Bolt
	81005					½" Lockwasher
	80590					½" Hex Nut
4	20729	2	2			Scraper Bar – 47.00"
	20730			2		Scraper Bar – 54.50"
	20731	2				Scraper Bar – 61.00"
	21703				2	Scraper Bar – 64.00"
	20732		2			Scraper Bar – 69.50"
	20734			2		Scraper Bar – 79.00"
	20736				2	Scraper Bar – 88.00"
5	21691					Gang Frame – 37.00"
	21692		2			Gang Frame – 46.00"
	21693	4				Gang Frame – 56.00"
Pg 38	23455			1		Gang Frame – 56.00" (Rt. Assy.)
Pg 38	23456			1		Gang Frame – 56.00" (Lt. Assy.)
	21694		2			Gang Frame – 65.00"
	21307			2	2	Gang Frame – 70.00"
	21306				2	Gang Frame – 81.00"



COVER DISC PARTS

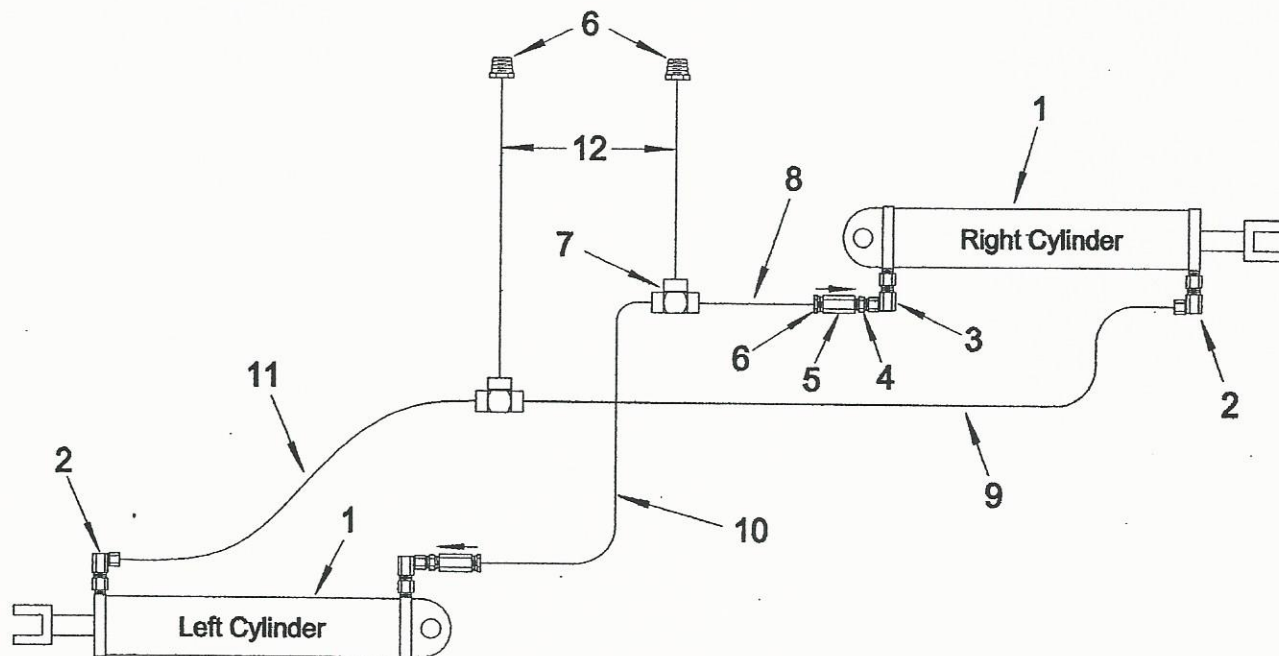
Reference	Part No.	Description
1	20699	Left Cover Disc Scraper
	20700	Right Cover Disc Scraper
2	15985	Cover Disc, 18" for 24" Discs
	18693	Cover Disc, 16" for 22" Discs
3	80870	3/4" Locknut
	81205	3/4" Flatwasher, SAE
4	17117	End Washer
5	17126	Cover Disc Assembly
6	80323	1/2 x 1 3/4" Carriage Bolt
	81005	1/2" Lockwasher
	80590	1/2" Hex Nut



Lifting Hoses & Fittings

Ref.	Part No.	Narrow Wing	Wide Wing	Description
1	92021	2	2	4 x 8 Slave Cylinder with Stroke Control
2	92022	2	2	3 3/4 x 8 Slave Cylinder
3	94514	8	8	1/2" NPT Swivel St Elbow
4	94112	2	2	156" Hose
5	94518	2	2	1/2" Tee
6	94130	2	2	38" Hose
7	94102	2		72" Hose
	94105		2	96" Hose
8	94104	1		84" Hose
	94106		1	108" Hose
9	94106	1		108" Hose
	94108		1	127" Hose

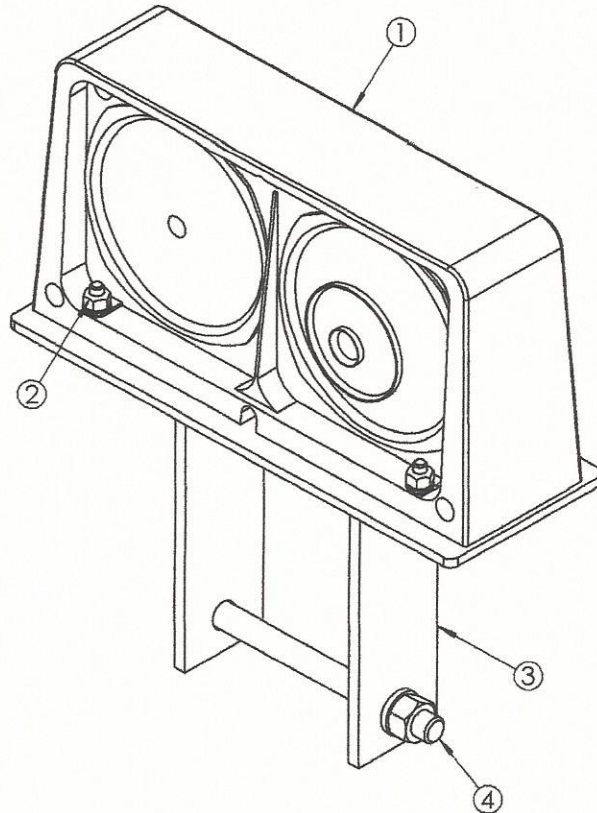
*Lifting Hoses are 3/8" double-braid with 1/2" rigid, external pipe thread fittings.



Folding Hoses & Fittings

Item No.	Part No.	Quantity Used		Description
		Narrow	Wide	
1	91007	2		3 x 24 Hyd. Cyl.
	91015		2	3 1/2 x 24 Hyd. Cyl.
2	94517	2	2	3/8 x 1/2 Swivel St Elbow
3	94514	2	2	1/2 NPT Swivel St Elbow
4	94510	2	2	1/2" NPT Nipple
5	96004	2	2	Flow Restrictor
6	94507	4	4	1/2 x 3/8 Pipe Bshg.
7	94504	2	2	3/8 NPT Pipe Tee
8	94203	1	1	*28" Hose
9	94206	1	1	*55" Hose
10	94205	1	1	*52" Hose
11	94212	1	1	*76" Hose
12	94228	2	2	*222", Hose

*Folding Hoses are 1/4" wire braid with 3/8" rigid, external pipe thread Fittings.



SAFETY LIGHTING

Reference	Part No.	Description
1	106122	AG Safety Lighting Bundle*
2	80089	1/4 x 1 1/4" Hex Bolt
	81154	1/4" SAE Flatwasher
	80754	1/4" Locknut
3	23521	Light Bracket
4	80123	1/2 x 5 1/2" Hex Bolt ZP
	81005	1/2" Lockwasher
	80590	1/2" Hex Nut

* Bundle Includes Left Hand and Right Hand Dual Lamp Units, 35' Wishbone Wire Harness
 7-Pin Ag Plug and Tri-Plugs
 Convoluted Tubing for Protection of Wire Harness
 Reference Items #2, #3, & #4 Complete